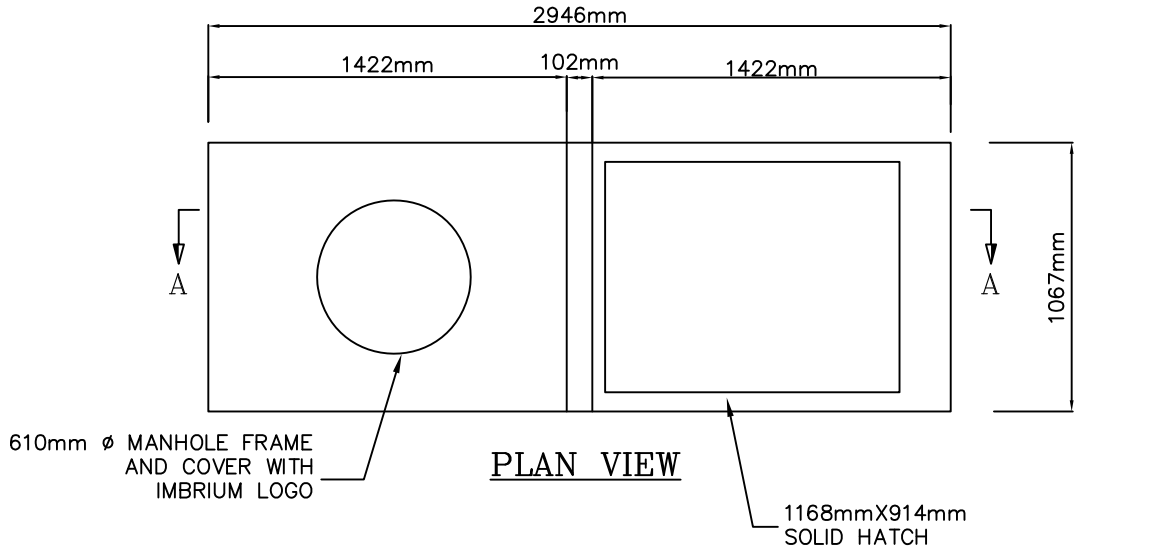
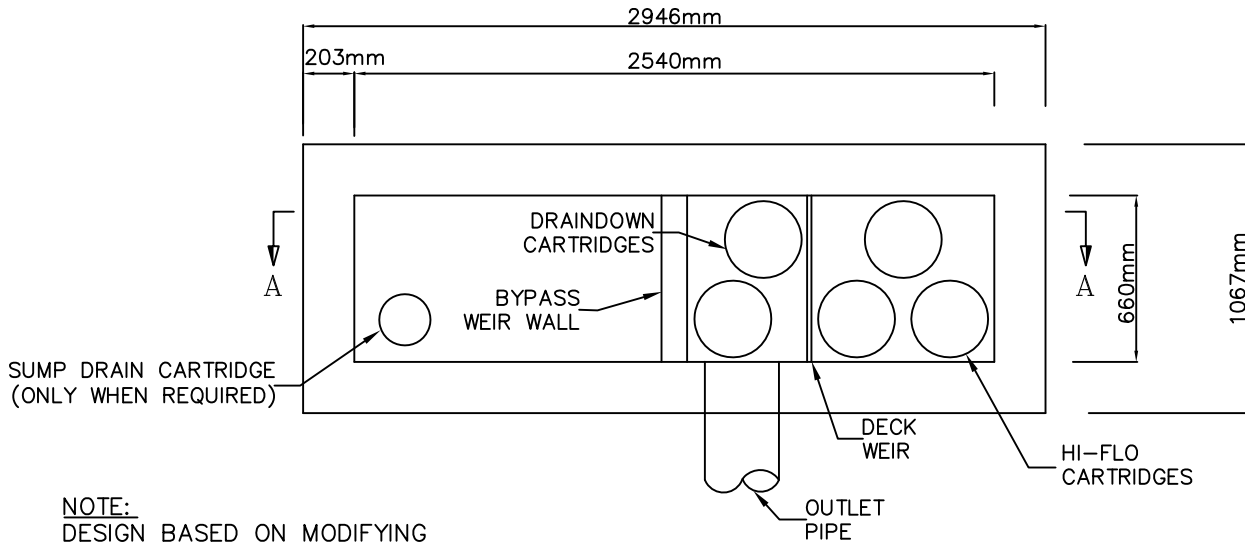


DRAWING NOT TO BE USED FOR CONSTRUCTION



PLAN VIEW




PLAN VIEW

NOTE:
 DESIGN BASED ON MODIFYING
 LOCAL STANDARD CURB INLET
 – THEREFORE DIMENSIONS WILL
 VARY AS REQUIRED

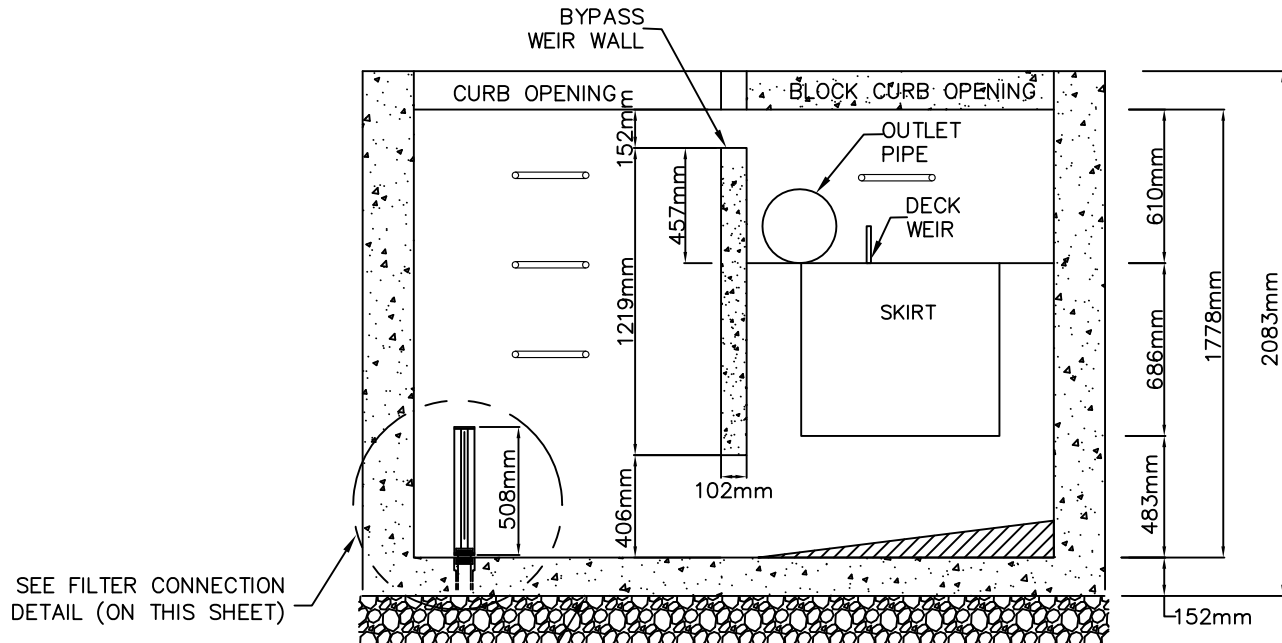
Cartridge Type	Cartridge Height (mm)	Flow Rate (L/S)
Draindown Cartridge	686	1.26
Hi-Flo Cartridge	686	2.52

Drainage Area	0.10 ha
Impervious Area	0.10 ha
WQv Discharge	10.1 L/S
Treatment Flow Rate (L/S)	10.1 L/S
Hi-Flo Cartridges Req.	3
Draindown Cartridges Req.	2

****Computed using 1.0" of rainfall depth as the runoff from 90% of the average annual rainfall**

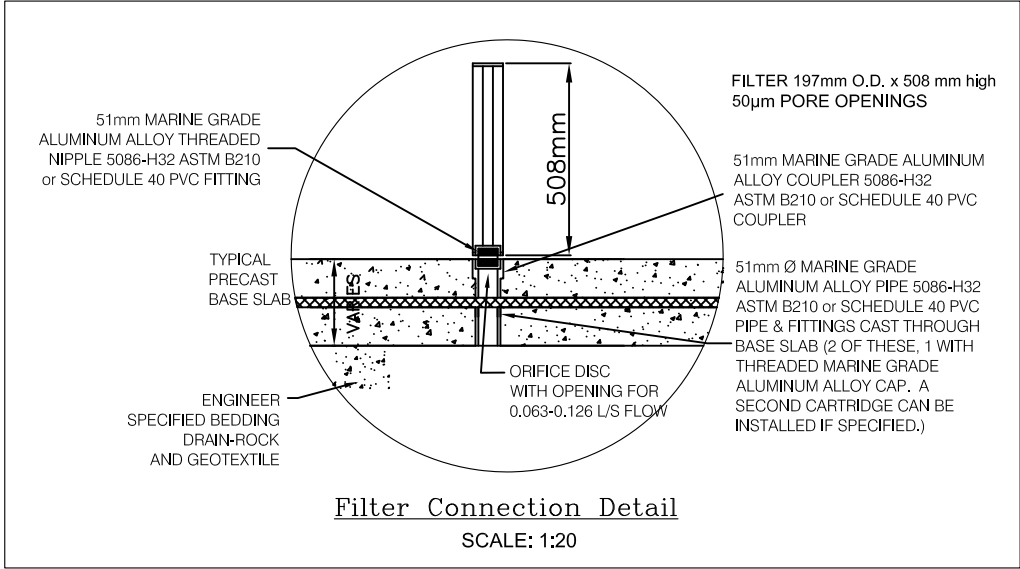
JELLYFISH CURB INLET - WITH SUMP DRAIN PRECAST CONCRETE WQ TREATMENT FILTER	SCALE: 1:30				SI UNITS		 IMBRIUM SYSTEMS www.imbriumsystems.com 1-800-565-4801
1	2011	01	14	LML	BG	Revised Wall; added sloped floor	FILE: Jellyfish Curb Inlet w/SumpDrain-SI Units.dwg
REV	Y	M	D	DRN	CHK	DESCRIPTION	DRAWN BY: LML
							DATE: FEB. 2011
							REV.:
							1 OF 2

DRAWING NOT TO BE USED FOR CONSTRUCTION



WOVEN SEPARATION GEOTEXTILE MAY BE PLACED UNDER BASE & FOUNDATION DRAIN ROCK IN ACCORDANCE WITH SITE DESIGN ENGINEER.

Section View A-A
SCALE: 1:30



Filter Connection Detail
SCALE: 1:20

JELLYFISH CURB INLET - WITH SUMP DRAIN PRECAST CONCRETE WQ TREATMENT FILTER	SCALE: AS SHOWN					SI UNITS		 IMBRIUM SYSTEMS www.imbriumsystems.com 1-800-565-4801
								FILE: Jellyfish Curb Inlet w/SumpDrain-SI Units.dwg
								DRAWN BY: LML
	1	2011	01	14	LML	BG	Revised Wall; added sloped floor	DATE: FEB. 2011
REV	Y	M	D	DRN	CHK	DESCRIPTION	REV.:	
							2 OF 2	