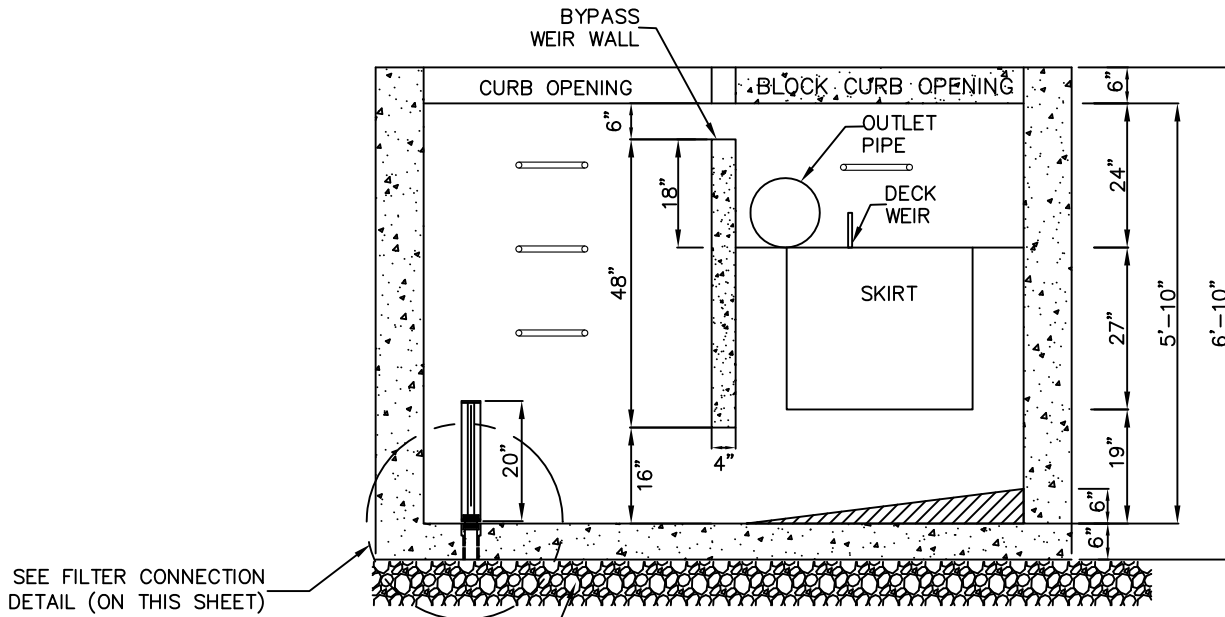




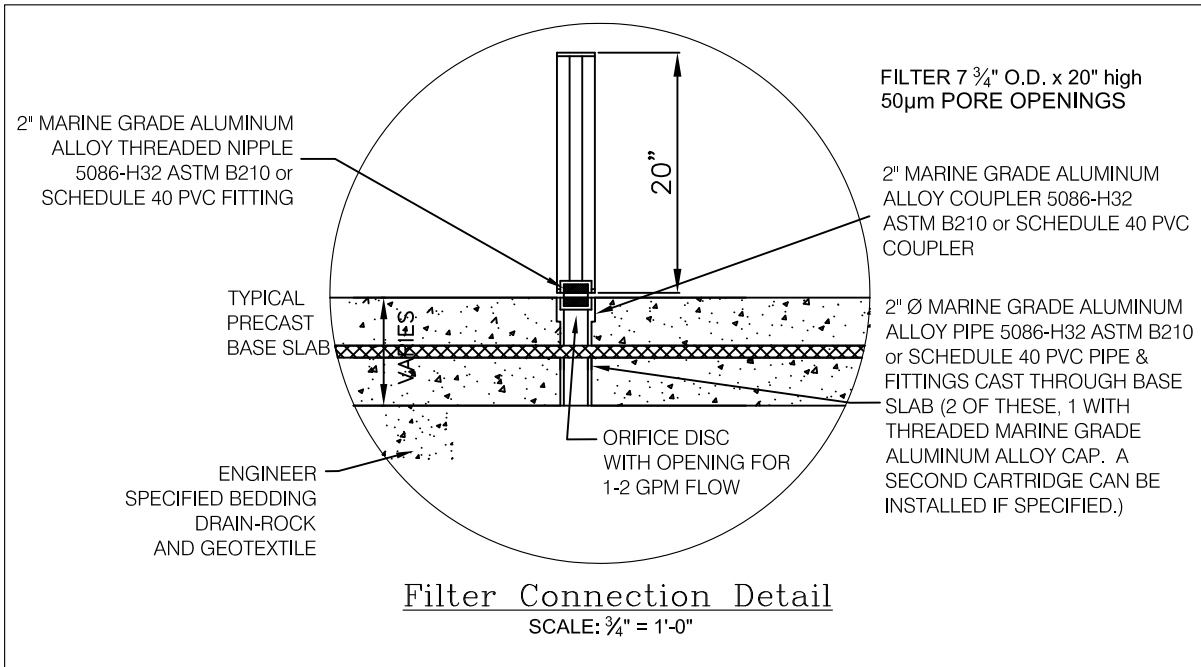
# DRAWING NOT TO BE USED FOR CONSTRUCTION



**Section View A-A**  
SCALE:  $\frac{3}{8}'' = 1'-0''$

SEE FILTER CONNECTION  
DETAIL (ON THIS SHEET)

WOVEN SEPARATION GEOTEXTILE MAY BE  
PLACED UNDER BASE & FOUNDATION  
DRAIN ROCK IN ACCORDANCE WITH SITE  
DESIGN ENGINEER.



**Filter Connection Detail**  
SCALE:  $\frac{3}{4}'' = 1'-0''$

<b>JELLYFISH CURB INLET - WITH SUMP DRAIN PRECAST CONCRETE WQ TREATMENT FILTER</b>	SCALE: AS SHOWN				US CUSTOMARY UNITS		IMBRIUM SYSTEMS www.imbriumsystems.com 301-279-8827
							FILE: Jellyfish Curb Inlet-w/SumpDrain.dwg
							DRAWN BY: LML
							DATE: FEB. 2011
1	2011	01	14	LML	BG	Revised Wall; added sloped floor	<b>2 OF 2</b>
REV	Y	M	D	DRN	CHK	DESCRIPTION	