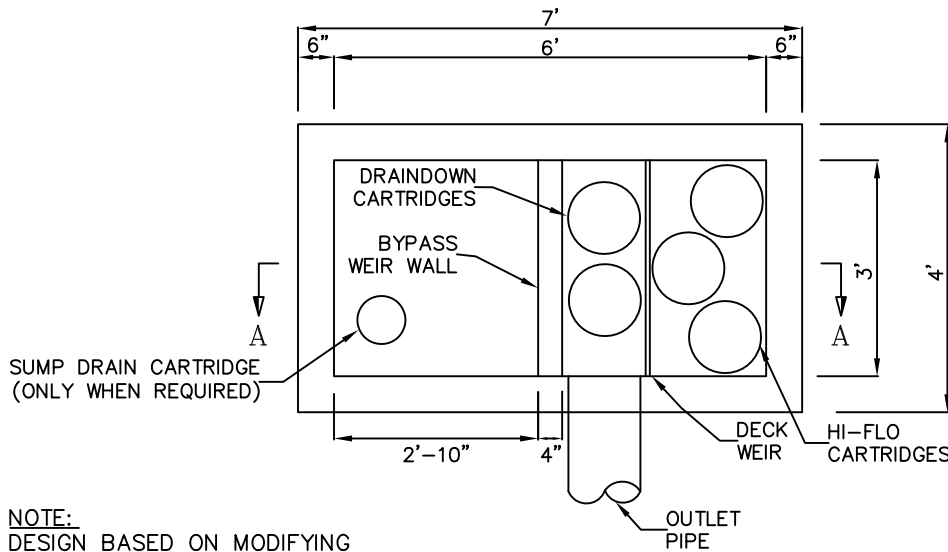
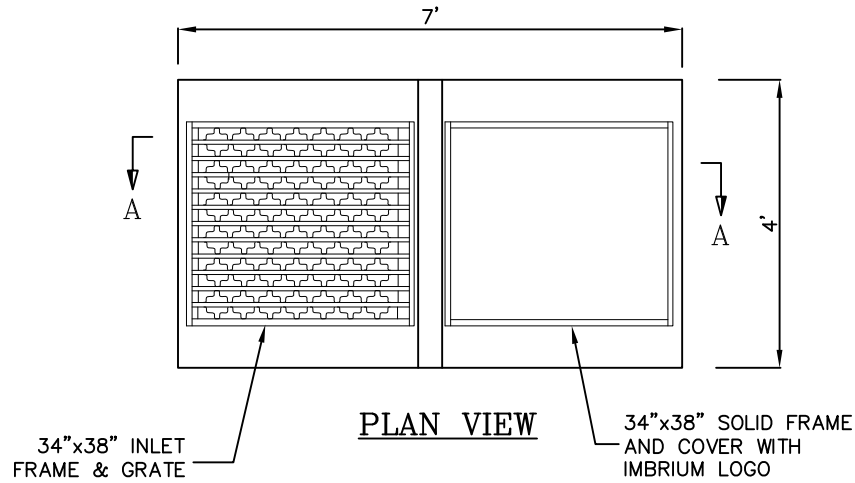


DRAWING NOT TO BE USED FOR CONSTRUCTION




NOTE:
 DESIGN BASED ON MODIFYING
 LOCAL STANDARD CATCH BASIN
 - THEREFORE DIMENSIONS WILL
 VARY AS REQUIRED

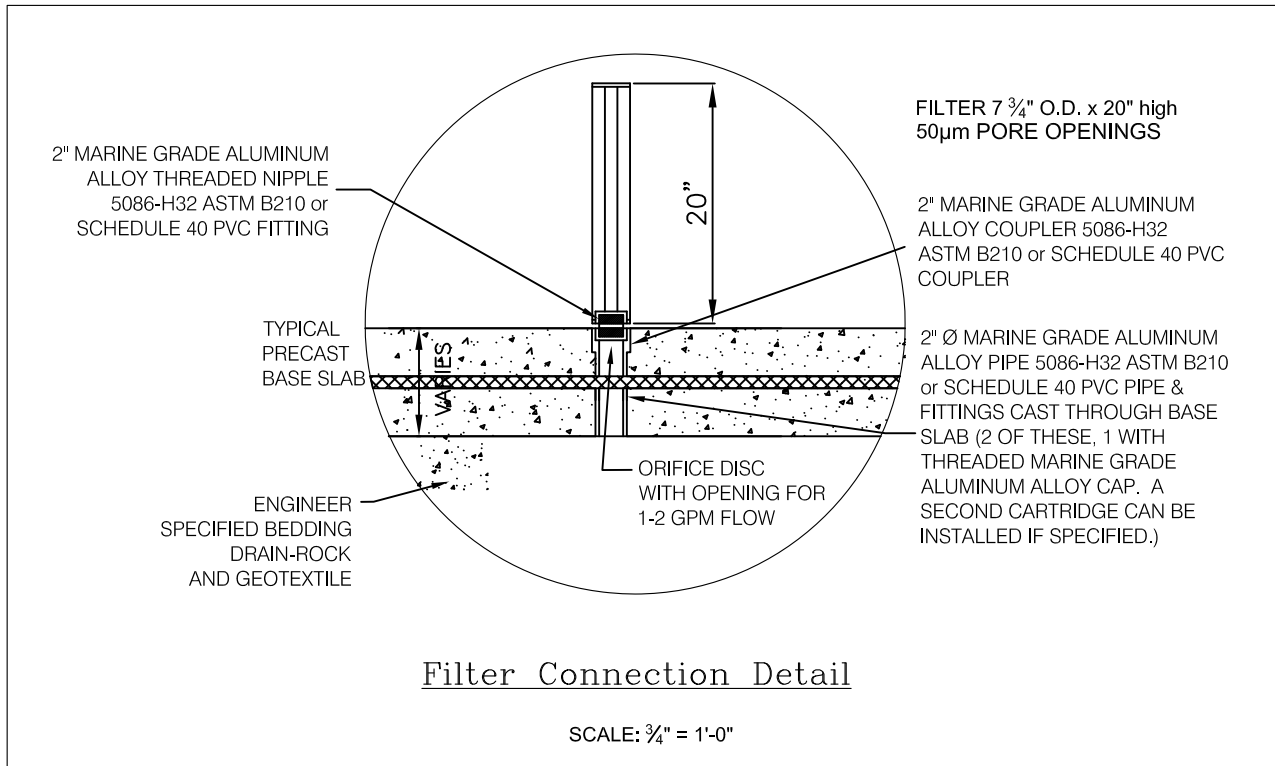
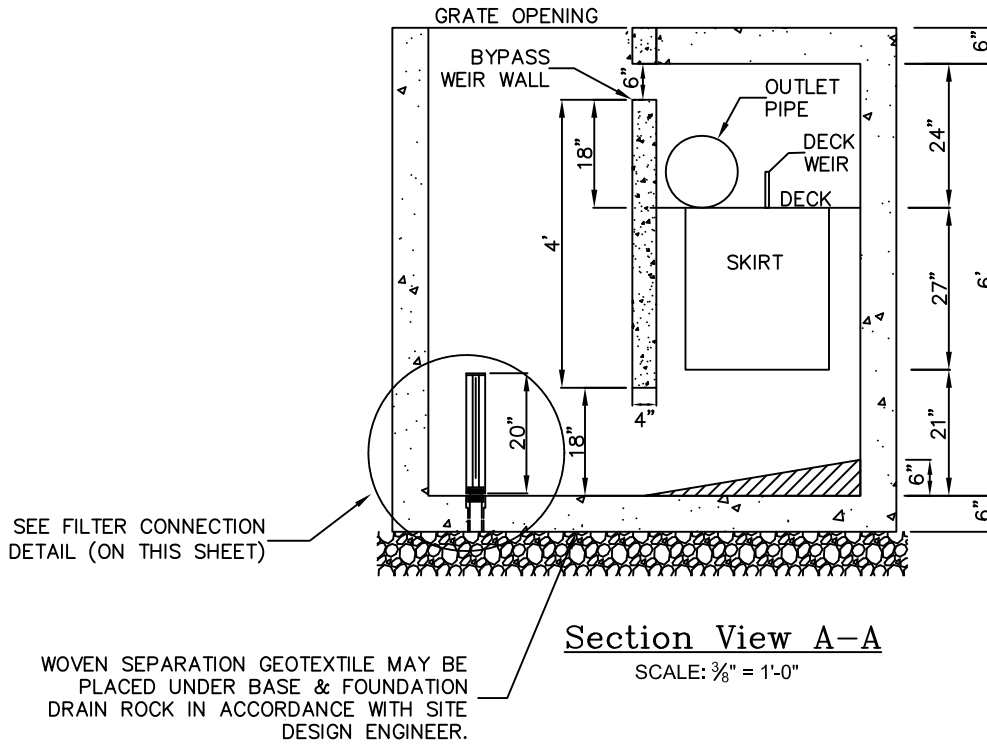
Cartridge Type	Cartridge Height (inches)	Flow Rate (gpm)
Draindown Cartridge	27	20.0
Hi-Flo Cartridge	27	40.0

Drainage Area	0.24 ac
Impervious Area	0.24 ac
**WQv Discharge	0.36 cfs
Treatment Flow Rate (gpm/cfs)	160 gpm/0.36 cfs
Hi-Flo Cartridges Req.	3
Draindown Cartridges Req.	2

**Computed using 1.0" of rainfall depth as the runoff from 90% of the average annual rainfall

JELLYFISH CATCH BASIN - WITH SUMP DRAIN PRECAST CONCRETE WQ TREATMENT FILTER	SCALE: 3/8" = 1'-0"					US CUSTOMARY UNITS		 IMBRIUM SYSTEMS www.imbriumsystems.com 301-279-8827
	FILE: JF-Catch-w/SumpDrain.dwg							
	DRAWN BY: LML							
	1	2011	01	14	LML	Revised Wall; added sloped floor		DATE: FEB. 2011
	REV	Y	M	D	DRN	CHK	DESCRIPTION	REV.:

DRAWING NOT TO BE USED FOR CONSTRUCTION



JELLYFISH CATCH BASIN - WITH SUMP DRAIN PRECAST CONCRETE WQ TREATMENT FILTER	SCALE: AS SHOWN				US CUSTOMARY UNITS		 IMBRIUM SYSTEMS www.imbriumsystems.com 301-279-8827	
								FILE: Jellyfish Catch Basin-w/SumpDrain.dwg
							DRAWN BY: LML	
	1	2011	01	14	LML	BG	Revised Wall; added sloped floor	DATE: FEB. 2011
	REV	Y	M	D	DRN	CHK	DESCRIPTION	REV.:
							2 OF 2	