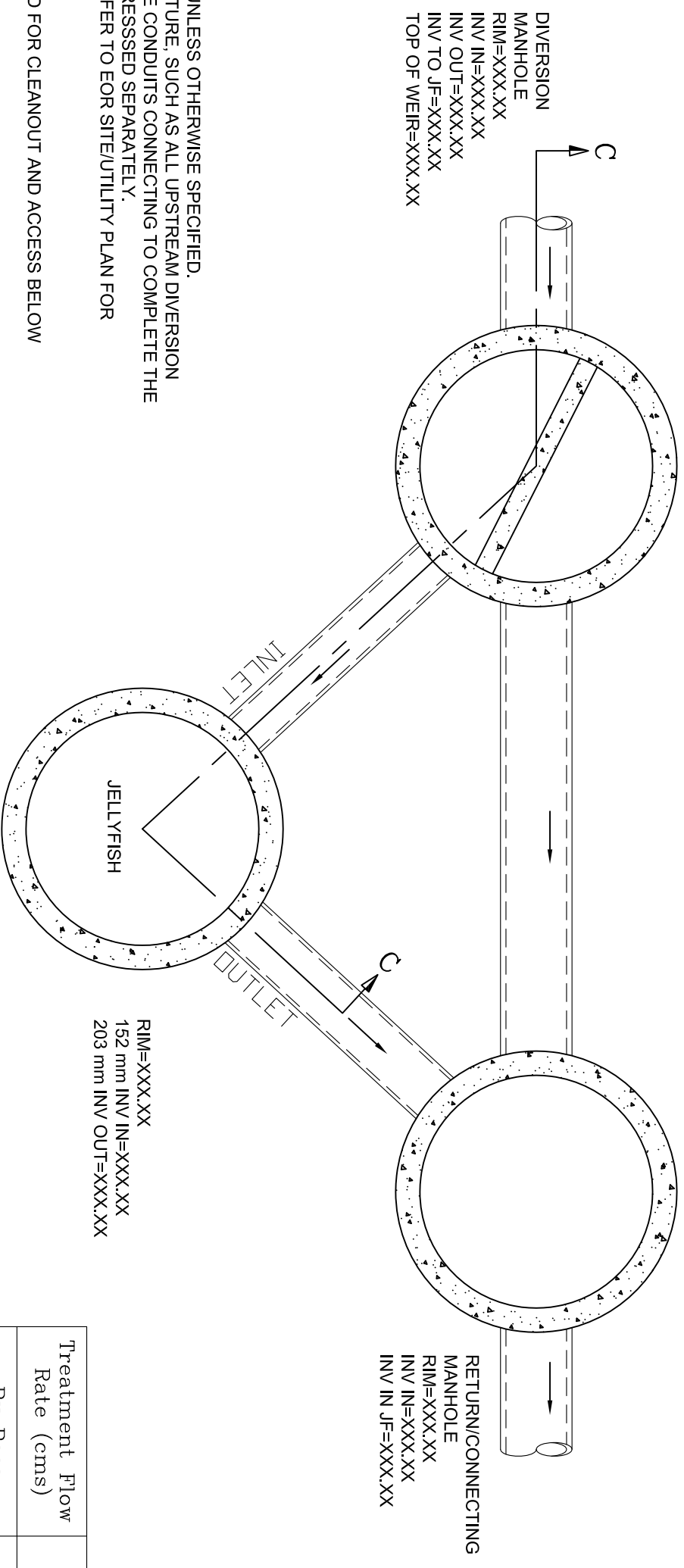


DRAWING NOT TO BE USED FOR CONSTRUCTION



RIM=XXX.XX
152 mm INV IN=XXX.XX
203 mm INV OUT=XXX.XX

RETURN/CONNECTING
MANHOLE
RIM=XXX.XX
INV IN=XXX.XX
INV IN JF=XXX.XX

Treatment Flow Rate (cms) XXX.XX

By Pass Flow Rate (cms) XXX.XX

Drainage Area (ha) XXX.XX

% Impervious XXX.XX

of Hi-Flo Cartridges

of Draindown Cartridges

Model

XXX.XX INFORMATION TO BE SUPPLIED BY ENGINEER OF RECORD

- GENERAL NOTES:**
- ALL DIMENSIONS INDICATED ARE IN MILLIMETERS UNLESS OTHERWISE SPECIFIED.
 - UNLESS OTHERWISE NOTED, BYPASS INFRASTRUCTURE, SUCH AS ALL UPSTREAM DIVERSION STRUCTURES, CONNECTING STRUCTURES, OR PIPE CONDUITS CONNECTING TO COMPLETE THE JELLYFISH SYSTEM SHALL BE PROVIDED AND ADDRESSED SEPARATELY.
 - DRAWING FOR INFORMATION PURPOSES ONLY. REFER TO EOR SITE/UTILITY PLAN FOR STRUCTURE ORIENTATION.

- JELLYFISH STRUCTURE & DESIGN NOTES:**
- 457 mm Ø MAINTENANCE ACCESS WALL TO BE USED FOR CLEANOUT AND ACCESS BELOW CARTRIDGE DECK.
 - CASTINGS OR DOORS OF THE JELLYFISH MANHOLE STRUCTURE TO EXTEND TO DESIGN FINISH GRADE. DEPTHS IN EXCESS OF 3.65 m MAY REQUIRE THE DESIGN AND INSTALLATION OF INTERMEDIATE SAFETY GRATES OR OTHER STRUCTURAL ELEMENTS.
 - CASTINGS AND GRADE RINGS, OR DOORS AND DOOR RISERS, OR BOTH, SHALL BE GROUTED FOR WATERTIGHTNESS.
 - CONCRETE RISER SECTIONS FROM BOTTOM TO TOP WILL TYPICALLY BE 914 mm, 1829 mm, AND 914 mm, WITH OTHER SECTIONS ADDED AS REQUIRED INCLUDING TRANSITION PIECES TO SMALLER DIAMETER RISERS FOR SURFACE ACCESSES WHERE WARRANTED BY SERVICING DEPTH.
 - IF MINIMUM DEPTH FROM TOP OF CARTRIDGE DECK TO BOTTOM OF STRUCTURAL TOP SLAB (1676 mm) CANNOT BE ACHIEVED DUE TO PIPING INVERT ELEVATIONS OR OTHER SITE CONSTRAINTS, ALTERNATIVE CUSTOM TOP SLAB DESIGN AND HATCH CONFIGURATIONS MAY BE AVAILABLE. HATCH DOORS SHOULD BE SIZED TO PROVIDE ACCESS ABOVE THE CARTRIDGES TO ACCOMMODATE MAINTENANCE.
 - STEPS TO BE APPROXIMATELY 330 mm APART AND DIMENSIONS MUST MEET LOCAL STANDARDS.
 - STEPS MUST BE INSTALLED AFTER CARTRIDGE DECK IS IN PLACE.
 - CONFIGURATION OF INLET AND OUTLET CAN VARY TO MEET SITE'S NEEDS.
 - ALL SECTIONS AND PARTS TO MEET OR EXCEED ASTM C-478, ASTM C-443, AND ASTM D-4097 CORRESPONDING TO AASHTO SPECIFICATIONS, AND ANY OTHER SITE OR LOCAL STANDARDS.
 - THIS DRAWING MUST BE VIEWED IN CONJUNCTION WITH THE STANDARD JELLYFISH SPECIFICATION, AND STORMWATER QUALITY FILTER TREATMENT JELLYFISH DOCUMENTS.

FOR SITE SPECIFIC DRAWINGS PLEASE CONTACT YOUR LOCAL IMBRIUM SYSTEMS REPRESENTATIVE. SITE SPECIFIC DRAWINGS ARE BASED ON THE BEST AVAILABLE INFORMATION AT THE TIME. SOME FIELD REVISIONS TO THE SYSTEM LOCATION OR CONNECTION PIPING MAY BE NECESSARY BASED ON AVAILABLE SPACE OR SITE CONFIGURATION REVISIONS. ELEVATIONS SHOULD BE MAINTAINED EXCEPT WHERE NOTED ON BYPASS STRUCTURE.

JELLYFISH MODEL
JF4 (METRIC)
IMBRIUM SYSTEMS
www.imbriumsystems.com
TOLL FREE: 1-800-565-4801

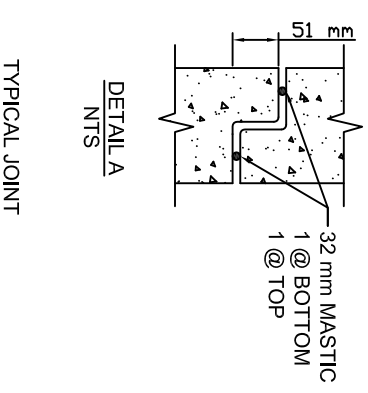
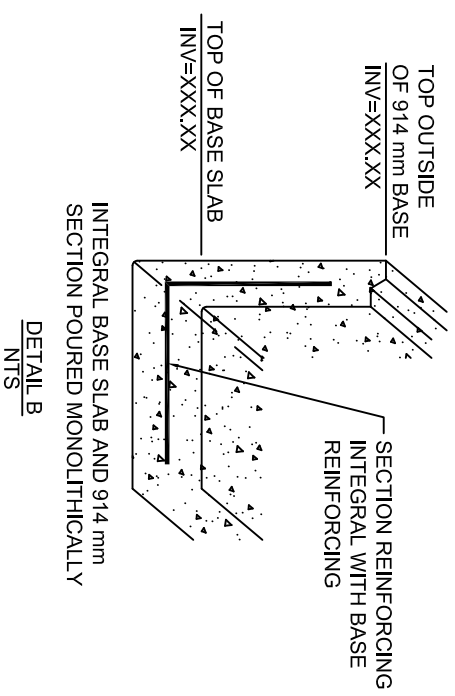
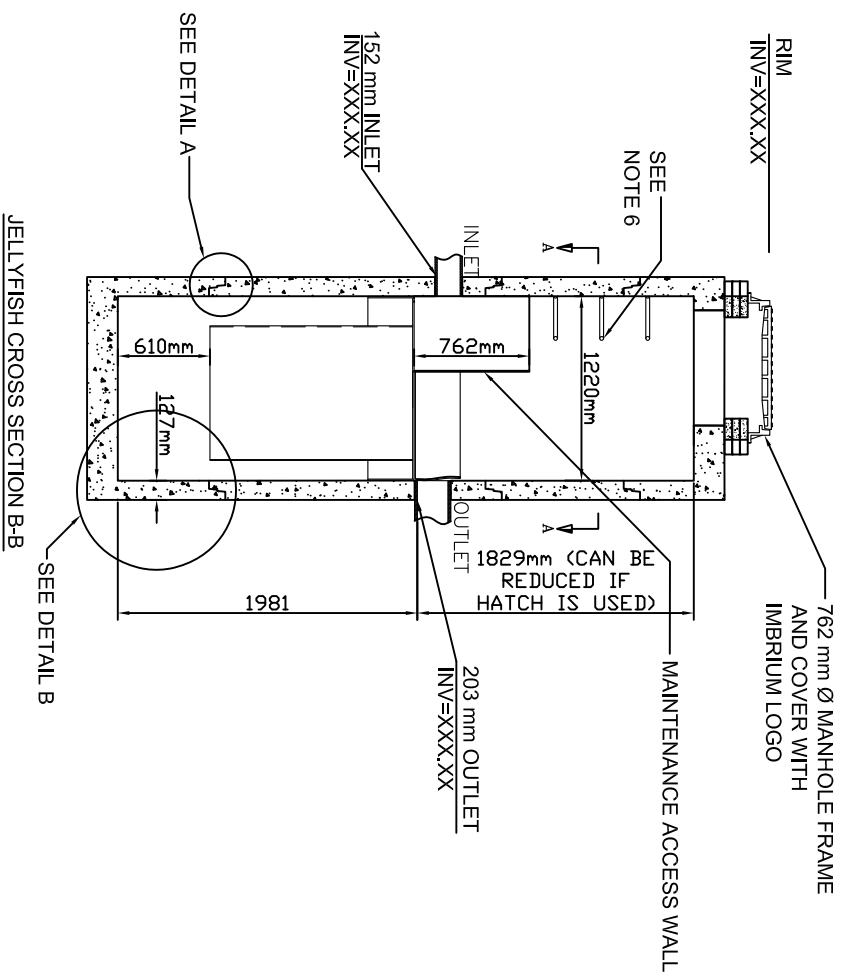
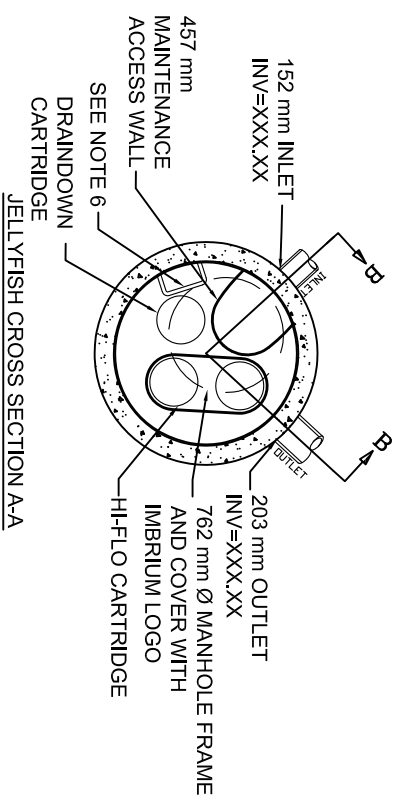
SCALE 1 : 30

REV	Y	M	D	DRN	CHK
0	2011	03	14	DES	RDG

Jellyfish

FILE: JF4-metric.dwg
DRAWN BY: DES
INITIAL RELEASE DATE: MAR 14, 2011
DESCRIPTION REV.: 0

DRAWING NOT TO BE USED FOR CONSTRUCTION

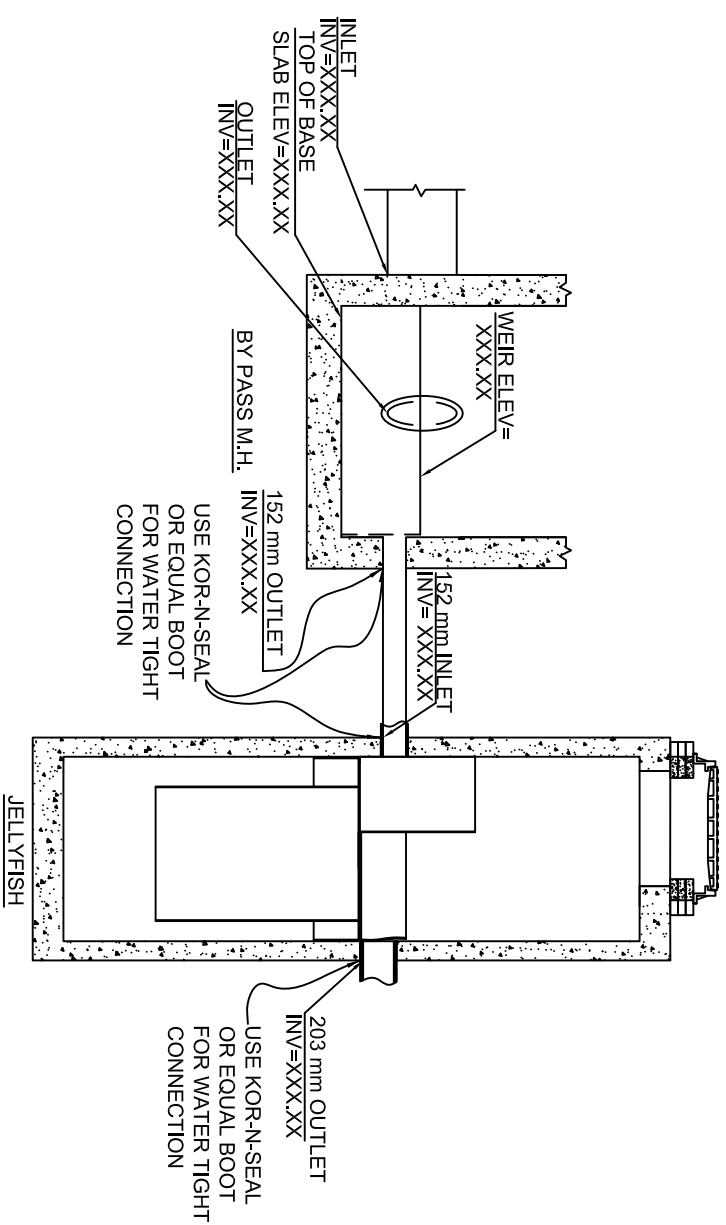


XXX.XX INFORMATION TO BE
SUPPLIED BY ENGINEER OF RECORD

FOR SITE SPECIFIC DRAWINGS PLEASE CONTACT YOUR LOCAL IMBRIUM SYSTEMS REPRESENTATIVE. SITE SPECIFIC DRAWINGS ARE BASED ON THE BEST AVAILABLE INFORMATION AT THE TIME. SOME FIELD REVISIONS TO THE SYSTEM LOCATION OR CONNECTION PIPING MAY BE NECESSARY BASED ON AVAILABLE SPACE OR SITE CONFIGURATION REVISIONS. ELEVATIONS SHOULD BE MAINTAINED EXCEPT WHERE NOTED ON BYPASS STRUCTURE.

JELLYFISH MODEL		Jellyfish
JF4 (METRIC)		
IMBRIUM SYSTEMS		
www.imbriumsystems.com		
TOLL FREE: 1-800-565-4801		
SCALE 1 : 50		
REV	Y	M
0	2011	03
	14	DES
	RDG	DRN
	CHK	CHK
INITIAL RELEASE	DATE: MAR 14, 2011	REV.: 0
DESCRIPTION	DRAWN BY: DES	FILE: JF4-metric.dwg
2 OF 3		

DRAWING NOT TO BE USED FOR CONSTRUCTION



JELLYFISH CROSS SECTION C-C

- GENERAL NOTES:**
1. ALL DIMENSIONS INDICATED ARE IN MILLIMETERS UNLESS OTHERWISE SPECIFIED.
 2. UNLESS OTHERWISE NOTED, BYPASS INFRASTRUCTURE, SUCH AS ALL UPSTREAM DIVERSION STRUCTURES, CONNECTING STRUCTURES, OR PIPE CONDUITS CONNECTING TO COMPLETE THE JELLYFISH SYSTEM SHALL BE PROVIDED AND ADDRESSED SEPARATELY.
 3. DRAWING FOR INFORMATION PURPOSES ONLY. REFER TO EOR SITE/UTILITY PLAN FOR STRUCTURE ORIENTATION.

- INSTALLATION NOTES:**
1. CONTRACTOR TO PROVIDE EQUIPMENT TO RIG, UNLOAD, AND SET STRUCTURE.
 2. CONTRACTOR WILL INSTALL AND LEVEL THE STRUCTURE, SEALING THE JOINTS, LINE ENTRY AND EXIT POINTS (NON-SHRINK GROUT WITH APPROVED WATERSTOP OR FLEXIBLE BOOTS), AND ALL LIFE POINTS TO MAKE STRUCTURE WATERTIGHT.
 3. CONTRACTOR TO TAKE APPROPRIATE MEASURES TO PREVENT UNTREATED CONSTRUCTION SITE EROSION AND SEDIMENT CONTROL RUNOFF FROM ENTERING THE JELLYFISH.
 4. CARTRIDGE INSTALLATION SHALL OCCUR ONLY AFTER SITE HAS BEEN STABILIZED AND THE JELLYFISH UNIT IS CLEAN AND FREE OF DEBRIS. CARTRIDGES SHALL BE FURNISHED NEW, AT TIME OF FINAL ACCEPTANCE.

THE JELLYFISH SYSTEM IS PROTECTED BY THE FOLLOWING PATENTS:
PATENTS PENDING

XXX.XX INFORMATION TO BE
SUPPLIED BY ENGINEER OF RECORD

FOR SITE SPECIFIC DRAWINGS PLEASE CONTACT YOUR LOCAL IMBRIUM SYSTEMS REPRESENTATIVE. SITE SPECIFIC DRAWINGS ARE BASED ON THE BEST AVAILABLE INFORMATION AT THE TIME. SOME FIELD REVISIONS TO THE SYSTEM LOCATION OR CONNECTION PIPING MAY BE NECESSARY BASED ON AVAILABLE SPACE OR SITE CONFIGURATION REVISIONS. ELEVATIONS SHOULD BE MAINTAINED EXCEPT WHERE NOTED ON BYPASS STRUCTURE.

JELLYFISH MODEL		SCALE 1 : 50	Jellyfish	
JF4 (METRIC)			FILE: JF4-metric.dwg	
IMBRIUM SYSTEMS		DRAWN BY: DES		
www.imbrium.com TOLL FREE: 1-800-565-4801		DATE: MAR 14, 2011		
		REV.: 0		
		3 OF 3		

REV	Y	M	D	DRN	CHK
0	2011	03	14	DES	RDG
					CHK